



32-0699



32-0633



32-0632

Starter Solenoid replaces 71469-65 used on 1967-80.

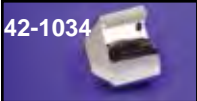
VT No.	Brand	Finish
32-0699	Volt Tech	Zinc
32-0633	Accel	Zinc
32-0632	Accel	Chrome
32-1021	Volt Tech	Chrome



32-0698

Starter Solenoid Kit fits 1967-80. Kit includes chrome or zinc solenoid, outer & inner rubber boot, foam gasket, bolts & spacer.

VT No.	Finish
32-0697	Zinc
32-0698	Chrome



42-1034

Chrome Solenoid End Cover. Order roller boots separately.



28-0117

VT No.	Item
42-1034	Cover
28-0117	Boot
42-0400	Cover



Solenoid Plunger Hardware fits 1967-80 solenoids.

VT No. 32-7571



42-0413



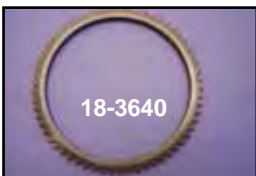
42-0412



42-0410

Chrome Starter Motor Covers

VT No.	OEM	Type	Model
42-0413	31565-67	End	Prestolite 1967-80 XL-FL Hitachi 1973-80XL
42-0412	31350-83T	Wrap Long	Prestolite 1966-82 FL 1967-80 XLH
42-0410	31351-83T	Wrap Short	Hitachi 1974-E76 XLH



18-3640



18-3645

Starter Ring Gears for replacement on stock clutch drums only. Must be welded on. **Note:** Bevel edge is for welding (out-side) teeth side.

VT No.	Fits	Teeth
18-3640	1967-80	62T
18-3645	1981-E84	78T
18-3646	1984 ¹ / ₂ -90	78T
18-3647	1991-up	78T



Starter Housing. Order needle bearing separately.

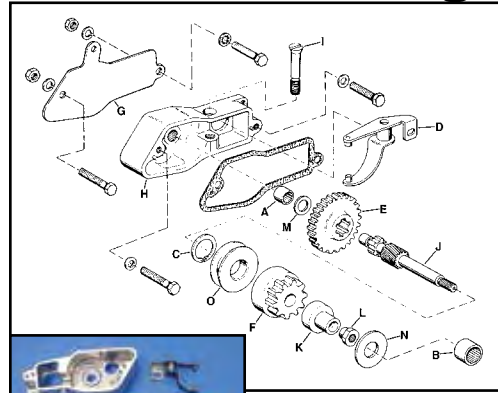
VT No.	Type
43-9132	1967-72 Prestolite
43-9133	1973-78 Hitachi
12-0317	Needle Bearing
15-0152	Gasket



Starter Block Plate fits 1970-78 XLCH's also be used on all 1970-78 XLH when starter assembly is removed. Replaces 31460-70.

VT No. 31-0126

Starter Housing Kit



43-9155

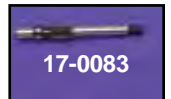
1967-80 XL

XLH Starter Parts listed below fit 1967-80 XLH electric start Sportsters.

VT No.	OEM	#	Item
43-9155	Kit		Includes A, B, C, D, E, F, H, I, J, K, L, M, N, O
	Prestolite		J, K, L, M, N, O
43-9154	Hitachi Kit	As Above	
12-0317	9062	A	Bearing
12-0318	9063	B	Bearing
12-0934	11039	C	Snap Ring
17-1501	31424-67	D	Lever
17-0080	31429-67	E	Gear
32-0639	31443-65A	F	Bendix Drive
31-0126	31460-70	G	Block Off Plate
43-9132	31462-67	H	Housing, Presto
43-9133	31462-74	H	Housing, Hitachi
17-1500	31478-67	I	Bolt
17-0083	31483-67	J	Shaft
17-0082	31490-67	K	Spacer
17-0081	31493-67	L	Nut
17-0093	Kit	L&K	Nut/Spacer
17-1503	31501-65	M	Washer
17-1504	31502-65	N	Washer
17-1502	31503-65	O	Collar
17-1512	Kit		C, K, L, M, N



12-0318



17-0083



17-1502



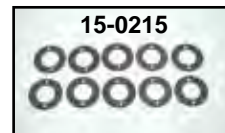
17-1504



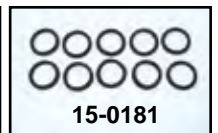
1967-80 XL Starter Shaft Assembly. Order starter drive separately. VT No. 17-0243



15-0243



15-0215



15-0181

Starter Gaskets

GB No.	James	OEM	Fits
15-0151	15-1026	31461-70	1970-E79 XLCH Starter Housing to Primary Mount
15-0152	15-1027	31471-67A	1967-80 Starter Housing to Primary Mount
15-0215	15-1028	31488-77	1967-80 Starter Body to Housing Mount
15-0243	15-1029	31488-81	1981-2000 Starter Mounting
15-0181	15-0917	60645-65	1967-80 Solenoid