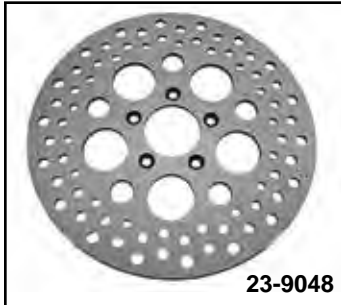
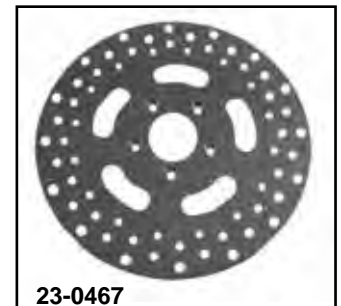
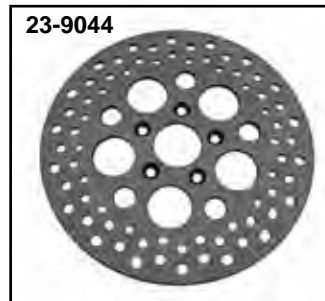




Stainless Brake Rotor



Drilled Stainless Rotors feature rustless finish for appearance and long service life, in Russell or Dura Rotor brand. Available in standard or polished finish. Russell High Performance and Dura Stainless Steel Rotors are compatible with all disc pads including sintered metal and OEM.

Dura Rotor		Russell		OEM	Dia.	Bolt Kit		Fits
Polished	Standard	Polished	Standard			Bolt Kit	Bolt Kit	
REAR								
23-0341	23-0333	23-9044	23-0318	41791-79	11.5"	8791-10 Cast or Wire	8791-10T	1979-92 Cast or Wire
23-0362	23-0361	23-9045	23-9926	41789-92	11.5"	9807-10 Cast or Wire	9807-10T	1993-99 Cast or Wire
23-0468	23-0469	—	—	41789-92	11.5"	9807-10 Cast or Wire	9807-10T	1993-99 Cast or Wire
23-0357	23-0387	23-9050	23-9051	41797-00	11.5"	9807-10 Wire	9807-10T	2000-up Cast or Wire
						9818-5 Cast		
FRONT								
23-0343	23-0334	23-9040	23-0319	44136-84	11.5"	8793-5 Cast 8794-10 Wire	8793-5T 8794-10T	1984-91 Cast or Wire
23-9206	23-0368	23-9040	23-0319	44136-92	11.5"	8793-5 Cast 8794-10 Wire	8793-5T 8794-10T	1992-99 Cast or Wire Wheel
23-0467	—	—	—	44136-92	11.5"	8793-5 Cast 8794-10 Wire	8793-5T 8794-10T	1992-99 Cast or Wire Wheel
23-0356	23-0379	23-9048	23-9049	44156-00	11.5"	8793-5 Cast 8794-10 Wire	8793-5T 8794-10T	2000-up Cast or Wire Wheel Left Side Rotor