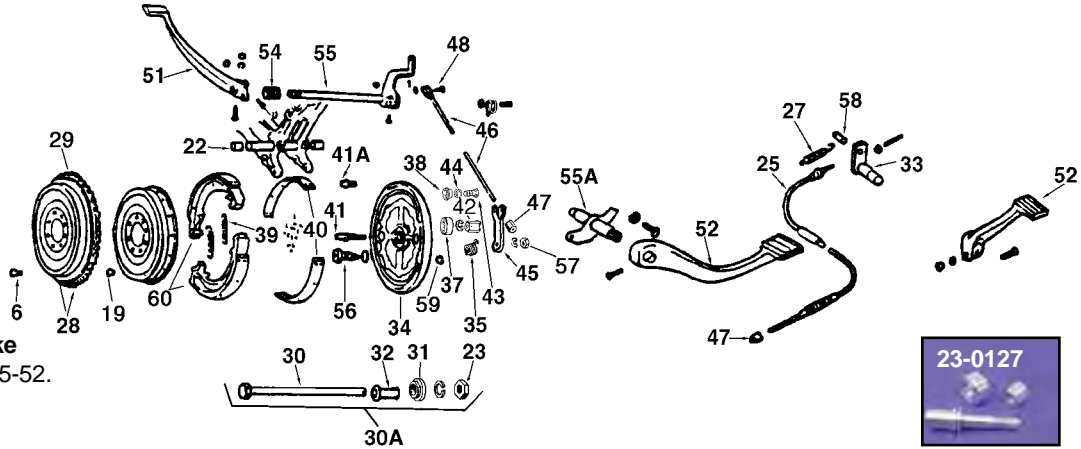




1954-78 Mechanical Brake Part



Chrome Rear Brake Arm replaces 41925-52.
Fits 1952-78.
VT No. 23-0397



1954-78 XL Rear Brake Components, Drum Type.

VT No.	#	OEM	Item /Type
10-2505	22	47757-52	Bushing, pair
44-0326	23	7986	Axle Nut Kit, Chrome
36-1975	25	38634-75	Cable Assembly 1975-76
36-1977	25	38634-77	Cable Assembly 1977-78
13-0205	27	40521-75	Spring, Stop Light & Switch
23-0438	28	41401-52	Drum and Sprocket, Black
23-0437	28	Complete	As above, Chrome
19-0011	29	41470-70	Sprocket only, Black with rivets
8811-16	6-19	Chrome	Lug Bolt Set
8812-16	6-19	Cadmium	3970B and 7725 Nut
44-0217	30	41551-52	Rear Axle, Chrome
44-0565	30A	—	Rear Axle Kit
44-0317	31	41598-52	Collar, Zinc
44-0500	31	41598-52	Collar, Chrome
44-0324	32	41600-55	Spacer, Chrome
23-0396	33	41620-75	Splined Arm 1975-76
23-2267	34	41662-54	Side Plate 1954-72
23-2268	34	41662-75	Side Plate 1975-78
13-0144	35	41667-75	Spring, Lever, each
13-0146	39	41835-69	Shoe Springs, pr
23-0411	37	41730-52	Locating Block, Zinc
8937-3	38	41730-73	Spacer Pivot Stud Kit
	43	41882-73	Bolt, 3 Piece
	44	41883-73	Washer, Cadmium
8936-3	—	—	As Above, Chrome 3 Piece Kit
23-0127	37-41-52	—	Pivot Stud Kit 3pc 1952-72

23-0410	41A	41876-73	Pivot Stud 1973-78
23-0412	42	41882-52	Stud Nut 1954-72
9207-4	37-41-42	—	Pivot Stud Kit, Chrome
9208-4	—	As Above	Pivot Stud Kit, Cadmium
23-0397	45	41925-52	Rear Lever Chrome
23-0399	46	42252-52	Brake Rod, 54-66 Short, Chrome.
23-0324	—	42252-52	As above, Cad w/nut
23-0326	—	42252-52	As above, Parkerized
23-0398	46	42253-67	Brake Rod, Long 67-74, Chrome
23-0325	—	42253-67	As above, Cad w/nut
37-8461	47	42264-52	Adjuster Nut 1952-78
23-0421	48	42269-30	Clevis Pin 1954-74
23-0408	51	42410-52	Pedal, Chrome 1952-74
23-0400	52	42420-75	Pedal, Chrome 1975-76
23-0404	52	42410-75A	Pedal, Chrome 1977-79
13-0153	54	42427-52	Return Spring 1954-78
23-1997	55	42549-52	Cross Shaft 1954-74
23-1998	55A	42549-75	Operating Shaft 1977-79
23-3066	56	44264-54	Cam Brake 1954-78
23-0505	40	44432-54	Lining and Rivet Set 1954-78
37-9172	58	45052-75	Cable pin
23-0503	60	44401-49B	Brake Shoe Set

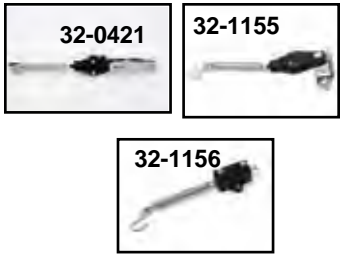


Chrome Brake Light Switches

VT No.	#	OEM	Type	Fits
32-7785	A	72004-52	Push	1959-66
32-0547	B	72004-75	Pull	1975-76
32-0552	B	Black	Pull	As Above
32-0424	C	72004-70	Push	1967-74
32-0572	D	Kit	Pull	1975-76
32-0551	E	Kit	Push	1977-78
13-0218			Spring	1969



Brake Rod Adjuster Nut.
Fits 1952-78. VT No. 37-8461



Universal Black Mechanical Brake Lamp Switch includes clamp and spring. Pull is on.
VT No. Type
32-0421 Pull
32-1155 Pull
32-1156 Pull



Rear Brake Cable Assembly fits drum brake 1975-78 models, 2 types.

VT No.	OEM	Year
36-1975	38634-75	1975-76
36-1977	38634-77	1977-78

Rear Chain Adjuster Sets are heat treated and include nuts. Fits 1952-78.

VT No.	Finish
7703-2	Chrome
9020-2	Cadmium

Anchor Studs for backing plates in chrome or cadmium finish.

VT No.	Years	Finish
9207-4	1954-72	Chrome
9208-4	1954-72	Cadmium
8936-3	1973-78	Chrome
8937-3	1973-78	Cadmium
23-0410	1973-78	Zinc



1958-69 XLCH Switch Kit replaces 72011-59 bracket, 5902 (2) spacer.

VT No.	Item
32-9161	Switch with bracket

