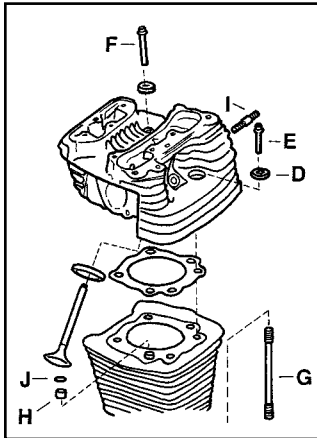




# Heads and Hardware



Components for One Head



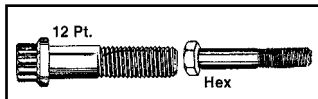
**Head Bolts and Hardware Kits** for 1986-up XL Models for one head.

VT No.	#	OEM	Item
37-9370	—	—	Hardware Kit (Includes D, E and G)
2011-8	E	16478-85A	Head Bolt Chrome, 8 pack
	F	16480-85A	Screw Set, Late 1985-91 Big Twin
2012-8	E	16478-85A	Head Bolt Chrome, 8 pack
	F	16480-92	Screw Set 1993-up XL
9507-8	G	16832-86A	Colony Stud Evolution, 1986-up XL
37-9260	G	As Above	Sifton
37-8935	H	16573-83	Insert, 8 pack
12-1187	I	16715-83	Exhaust Stud, 5 pack
14-0516	J	26432-76	O Ring, 10 pack
37-9075	D	16482-85	Washer Late 1985-92, Zinc, 4 pack
37-9265	D	As Above	Chrome, 8 pieces
2017-8	D	As Above	Chrome, 8 pieces



**Chrome 12 Point Head Bolt Set** includes 8 washers and 8 head bolts for 1986-92 XL.  
VT No. 37-9019

## COLONY Head Bolt



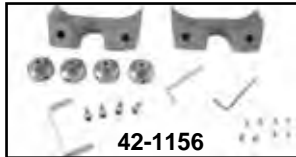
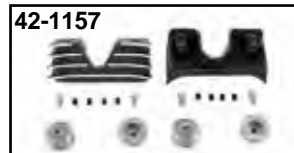
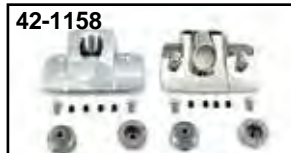
**Head Bolts, Head Nut and Washer Kits** are the highest quality available. Machined from high strength steel and hardened to original factory specifications to prevent stretching. All bolts feature rolled threads for superior strength and fit.

Cad	Chrome	Fits	Type
8945-16	8944-16	1957-72	Hex
—	9747-16	As Above	Allen
9212-16	9211-16	1973-85	12 point
—	9748-16	As Above	Allen

**Head Bolt Washer Kit** fits 1957-85 Sportster models.  
8170-10 8488-10



**883 XL Model.** Ironhead motor model features 1:10 scale with authentic 1957 Sportster 900cc details! Fully pewter casted and mounted on a wooden base for display. VT No. 48-0746



**Finned Head Bolt Bridge.**  
Bolts on! 2004-up XL.  
Chrome Black Silver  
42-1158 42-1157 42-1156

## Chrome Dome Cap Kit



9001-4 installed on bike

**Headbolt Covers** fit over 12 point headbolts on 1973-85 XL Sportster, 1986-up Evolution 883-1100-1200 Sportster. Evolution styles include four pieces for left side only 1973-85 Sportster kits include eight covers. Styles include hex acorn or cap with a gold or chrome plated finish. Allen wrench included.

Chrome	Gold	Model	Finish	Style
9000-4	—	1986-99	Evolution	Acorn
9002-4	—	1986-99	Evolution	Cap
9110-9	9111-9	1973-85	XLH	Acorn
9112-9	—	1973-85	XLH	Cap



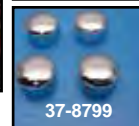
**1986-03 Head Bolt and Spark Plug Covers** are die cast and chrome plated to cover entire head bolt area and spark plug base. Held

in place by rubber boots on spark plug wires. Fits 883-1200 XL models.

VT No. 42-0741



37-9131 Installed



**Chrome Head Bolt Covers** fit 1986-2003 XL.

VT No.	Type
37-9131	Grooved
37-8799	Smooth



48-1351



48-1512



48-1473



48-1545



48-7787

**Belt Buckles.**

VT No. Style

48-1351	XLH Ironhead
48-1512	XL Gas Tank
48-1473	XLH Ironhead Electric Start
48-1545	XL Points Cover
48-7787	XLCH Sportster
48-1522	Complete Set