



Starter Housing Kits

Starter Housing and Hardware Kits include housing, shaft, gear, arm, pin, starter drive and related mechanical hardware only. Note: Starter and electric components not included.

VT No.	Model	Type
43-9151	1970-84 Big Twin	Prestolite
43-9152	1970-84 Big Twin	Hitachi
43-9153	1980-84 FXSB	Hitachi
	1982-84 FLH	



Starter Shafts and Spacers.

VT No.	OEM	Fits
17-0085	31482-70	1970-84 Big Twin
17-0019	31310-80A	1982-86 Big Twin with rear belt drive
17-9983	33120-79	1980-85 FLT-FXR
17-0084	31530-65A	1965-84 Big Twin, Nut/Space

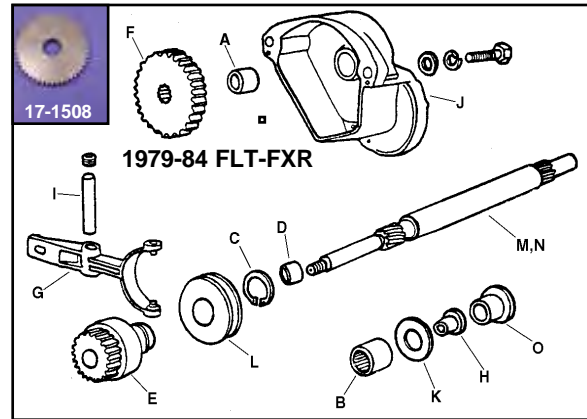


1965-88 Housings



Starter Shaft Housings are available as kits that include bearing and mounting bolts or as **housings only**.

Housing Only	VT No.	OEM	Starter	Model
Kit	32-0990	43-9120	31465-65 Prestolite	1965-Early 79 FLH, 1971-72 FX
	12-1147	—	Studs	As Above
	32-0991	43-9121	31572-73 Hitachi	1973-Early 79 FXE
	32-0992	43-9122	31572-79 Hitachi	Late 1979-84 FXE, 1980-83 FXWG
	32-0993	43-9123	31465-79 Prestolite	Late 1979-82 FLH



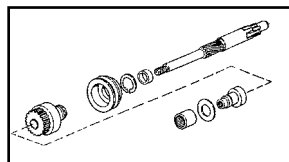
Starter Drive features high strength five roller clutch, stainless steel springs, hardened ramped clutch receivers, premium bronze bushing and factory pre-lubing. 1965-88 Big Twin. Replaces 31443-65A.

VT No.	Brand
32-0638	Accel Heavy
32-0639	Volt Tech
32-2506	Volt Tech Heavy Duty
32-1097	Drive Kit



Starter Shaft Assemblies include shaft, drive nut, collar, bearing and thrust washer. Drive not included. Order starter drive separately.

VT No.	Year	Model
17-0237	1965-69	FL
17-0238	1970-84	FLH
	1973-84	FXE
17-0239	1980-84	FXB
	1982-84	FLH
17-0240*	1985-88	FLT-FXR



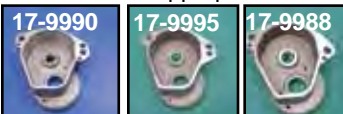
***Note:** Order appropriate housing to complete assembly

17-0241	1984-85	FXST
17-0242	1986-88	FXST

Starter Related Hardware.

VT No.	OEM	Item
43-9165*	Kit 1979-84	A, B, C, D, E, G, H, I, K, L, M
17-0240*	Kit 1985-88	As Above
12-0317	9062	A Housing Needle Bearing
12-0318	9063	B Cover Needle Bearing
12-0934	11039	C Starter Motor Retaining Collar
17-0088	11041	D Starter Shaft Spacer
32-0638	31443-65A	E Bendix Drive
17-1508	31485-65	F Gear, 1980-85
17-0965	Steel	G Shift Lever, Starter FLT-FXR
17-0081	31493-67	H Nut for Shaft
17-9987	31495-79	I Pivot Pin FLT-FXR
17-9988	31497-79	J Housing, 1980 FLT
17-9989	31497-81	J Housing, 1981-Early 83
17-9990	31497-83	J Housing, 1983-85
17-9995	31572-86	J Housing, 1986-88
17-1504	31502-65	K Thrust Washer
17-1502	31503-65	L Shift Collar
17-9983	33120-79	M Starter Shaft, 1979-84 FLT-FXR
17-9984	33121-79	O Spacer, Shaft, FLT-FXR
17-9985	31311-80	O Spacer FXST

***Note:** Order appropriate housing to complete assembly.



FLT Starter Housing. Order bearing separately.

VT No.	Year
17-9990	1983-85
17-9995	1986-88
17-9988	1980 only
12-0317	Bearing