



AGM Battery

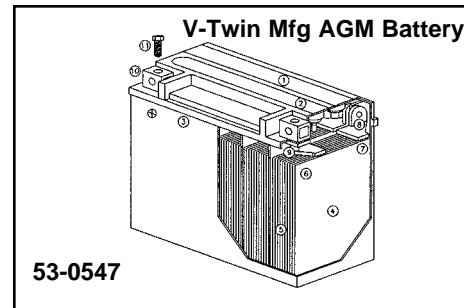
- Lock Bonded Plates
- Stainless Steel Terminal Bolts
- Maintenance Free



AGM Battery. The "Absorbed Glass Mat" Technology provides higher cold cranking amps, better rechargeability with longer over-all life. Batteries are fully sealed for trouble free service in a black case. **Note: 1998 and earlier FX models,** require battery side cover, VT No. 42-0770 and a top cover, VT No. 42-0785 for FXD models.

VT No.	OEM	Year/Model
53-0547	65991-82B	1973-94 FX-FXR
53-0585	65991-75C	1984-90 FXST-FLST 1999-2000 FXR
53-0536	65991-75V	1973-84 FXE
53-0536	66010-82B	1980-96 FLHR-FLHT-FLT
53-0550	66010-97A	1997-up FLHR-FLHT-FLTR 1998-2009 FL, FLH
53-0545	65989-90B	1991-96 FXD-FXST-FLST
53-0545	65989-90B	1991-96 FXD-FXST-FLST
53-0789	65989-97A	1997-up FXD, FXST, XL, FLST (Dry)

Note: AGM Batteries will require charging before installation.



1. Unique vent system minimizes leakage.
2. Completely sealed maintenance free design eliminates acid spills and corrosion damage.
3. Bonded cover prevents electrolyte leakage and improves dependability.
4. Precise volume of demineralized electrolyte means no excess acid and improved life.
5. Positive AGM plate separators ensure long life and improved performance.
6. Durable AGM plates direct maximum cranking amps to terminals for quick starts.
7. Heavy top lead lugs provide improved adhesion to the plates for vibration resistance and long life.
8. Large diameter partition connections direct more power to the terminals.
9. Sturdy diameter bushings resist vibration damage and acid leakage which causes terminal corrosion.
10. Durable two position terminals.
11. Stainless steel terminal screws.



"Activator" Battery Filler attaches to any standard acid pack tube. Positive thumb release valve absolutely controls acid flow. No acid spills, burns or holes in clothing.
VT No. 16-0037



Battery Acid Catch Tank attaches to battery vent tube to collect excess acid to protect the frame and lower rear fender parts.
VT No. 16-1739



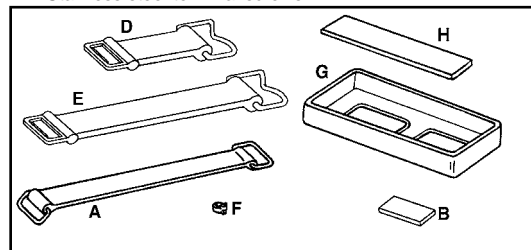
Brass Terminal Kit.
VT No. 32-1024



Battery Terminal Hardware Kit includes pieces to simplify battery installations on FXE and late XL models.
VT No. 32-0235



In-Line Fuse Holder has 6" long wire leads.
VT No. Type
32-0410 Fuse
32-8946 ATC Type



FXST Battery Hardware for 1984-99 Softail models.

VT No.	#	OEM	Item	Year
28-2217	A	66105-77	Strap	1984-92
28-0138	B	66004-93	Clamp Pad	1993-99
28-0136	D	66109-93	Front Strap	1993-99
28-0137	E	66111-93	Rear Strap	1993-99
37-8933	F	10067	Vent Clamp	50 pack
28-0423	G	66210-85B	Tray Insert	1986-97
28-0218	G	66210-97	Tray Insert	1998-99
28-0539	H	66309-84 66103-74	Pad	Pair



Dynaglide Battery Tray and Cushions for Dynaglide Models

VT No.	OEM#	Fits	Item
31-0671	47132-90	1992-99	Tray
31-0672	47132-93	1993-94	Tray
31-0675	47132-97A	1997-up	Tray
28-0878	66017-01	2001-up	Strap