



I-Beam Spring Fork Assembly

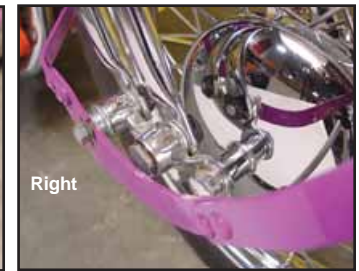


I-Beam Fork Assembly features original VL styling of the 1930's with the forged I-Beam rear leg. Length is 28" overall from top to center of axle hole. Units accept springer 1936-48 BT bearing assembly and handlebar or triple trees from this year group.

VT No.	Finish
49-2850	Black
49-2851	Chrome



Spring Style Front Fender fits 18", 19", and 21" wheels. Brackets must be fabricated. VT No. 50-0780

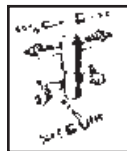


Note: Big Twin forks have offset rockers on right side.

Shock & Ride Control

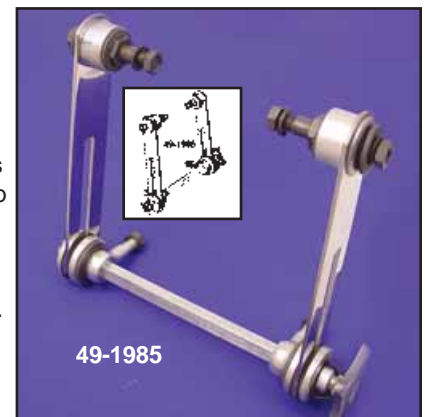


Replica Spring Fork Shock Assembly replaces 54200-45, includes all shock and mounting hardware for 1946-57 Spring Fork.

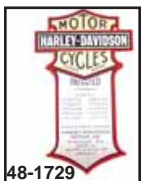


VT No.	Item
49-1942	Complete Kit, Black
49-1954	Replica Hardware Only
28-1951	Bushing set (14002-45) 4pc
49-0241	Loom Clip (9973)

Replica Ride Control is reproduced as original to control the action of the Spring Fork. Features chrome steel side bars with black control knobs. Replaces 11250-36 on 1937-48 61", 74" & 80", 1940-57 45 models.



VT No.	OEM	Item
49-1985	11250-36	Complete Unit
49-1940	11250-36	Complete Unit, Chrome
49-0139	13440-33 13444-33 13442-33	Includes the following: Knob, Collar and Spring Clip
49-0140	13431-33	Friction Disc (4)
49-0142	54051-33	Rubber Bushing (2)



Patent Logo Decal is full color aluminum with an adhesive backing.

VT No.	Item
48-1729	Flat, 5 pk
48-0452	Curved for shock, each