



Complete Big Twin Gasket Set



Brand



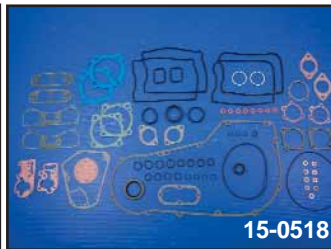
15-0513



15-0638



15-0529



15-0518



15-0679

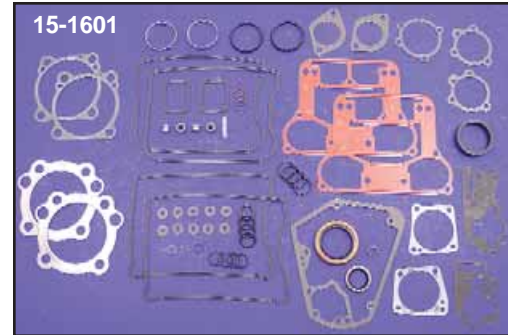
GB™ Complete Gasket Kits are produced of the finest materials and include all of the gaskets, seals and O-rings necessary to rebuild each model listed. Models which require quad pushrod seals include the genuine quad type. Head gaskets are Teflon, all other components are stock replacement type.

Fits Big Twin Evo

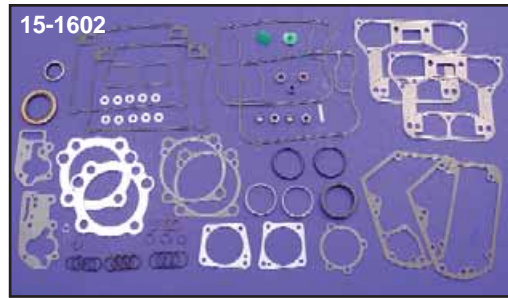
GB Complete Engine

VT No.	OEM	Years	Fits
15-0513	17035-83A	1984-88	4 & 5-Speed FXST
15-0638	17035-84B	1984-88	5-Speed FXR/FLT
15-0529		1989-91	5-Speed FXR/FLT
15-0518	17035-89	1989-91	5-Speed FXST
15-0679*	17041-92A	1992-99	All Twins

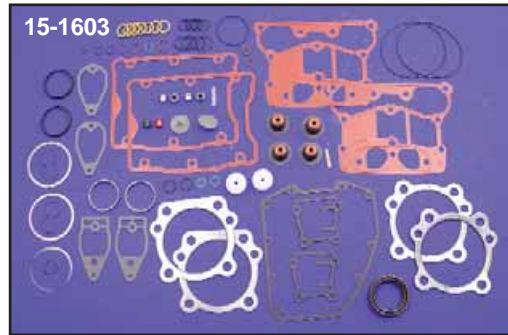
*Note: Does not include primary side gaskets



15-1601



15-1602

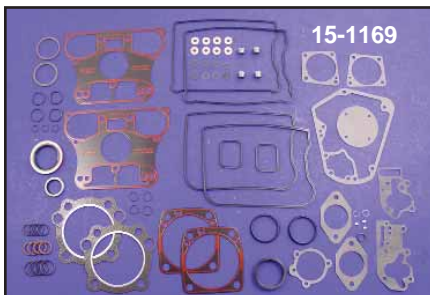


15-1603

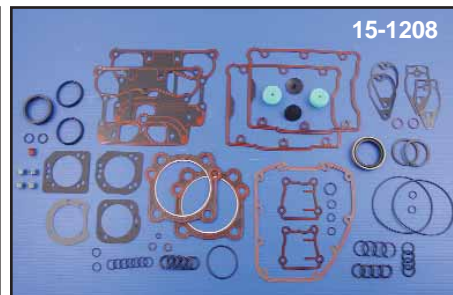
Complete Gasket Sets for Big Twin Models.

VT No.	OEM	Application
15-1601	17035-83B	1984-91 FXST, 1984-91 FXR, 1984-91 FLT
15-1602	17041-92A	1992-98 FLT, 1992-94 FXR, 1992-99 FXST, 1992-98 FXR
15-1603	17053-99	1999-up FLT, 1999-94 FXD, 2000-up FXST

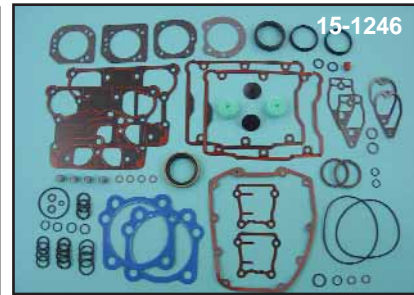
Motor Gasket Sets



15-1169



15-1208



15-1246

James Complete Motor Gasket Sets do not include primary gasket or seal.

VT No.	OEM	Years	Models
15-1169	17035-83B	1984-91	Big Twin (Rubber Rocker Gaskets/.062" Teflon Head Gaskets)
15-0808	17041-92A	1992-99 V ²	Big Twin (Rubber Rocker Gaskets/.062" Teflon Head Gaskets)
15-1208	17053-99	1999-up	TC-88 Big Twin
15-1246	17055-99	1999-up	TC-88 1550 Big Bore