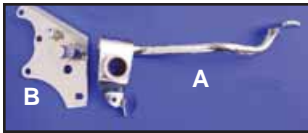


Forward Control Kit

Chrome Forward Control Kit fits 1958-86 Big Twins, 1986-99 FXST. Includes shift and brake sides including 3/4" bore chrome Kelsey Hayes style master cylinder. Kit is supplied with O-ring pegs, but can be replaced with other style of clevis mount pegs. A universal nylon brake line kit, chrome mount hardware and 4 & 5 speed styles shift rods are also included.

VT No.	Item
22-0716	Kit Complete
21-0109	Shift Lever Only

Brake Control for 1971-85 FX



Chrome FX-FXS Brake Pedal and Plate.

VT No.	#	OEM	Year	Item
23-0107	B	50800-71B	1972-E79	Plate
23-0106	A	42399-72A	1972-E79	Pedal
10-1154		24692-54	1972-E79	Pivot Washer
23-0126		42396-79	1979-81	Pivot Washer



Brake Pedal Rubber replaces 42394-65. Fits all FX's with center mount brake set up, black or white.

VT No.	Finish
28-0307	Black
28-0308	White



Brake Lever Spring for FX-FXE models.

VT No.	OEM	Years
13-0149	42425-71	1971-E79
13-9218	42425-79	1979-84



FX-FXE Brake Switch replaces 72005-73A for rear stoplight on 1973-77 models.

VT No. 32-7766



Clevis Pins in 10 pack, zinc plated, includes cotter pins and washers.

VT No.	OEM	Use
23-0421	42269-30	Brakes 30-69, 82-up, Shifter 52-84
23-0464	Parkerized	As Above, 5 pk
21-1986	42269-70	1970-81 Brakes
2501-12	Panhead	Kit, 1930-69



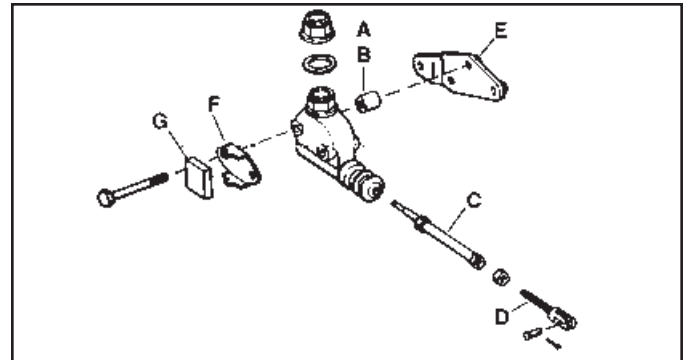
1951-70 Hydraulic Brake Switch.

VT No.	Type	Brand
32-0425	Screw	V-Twin
32-0434	Screw	Accel
32-0426	Flag	V-Twin
32-0435	Flag	Accel



Chrome FX-FXE Brake Control Kit is a replacement for mid style transmission mount as on 1972-85 Superglide with parts pictured. Master cylinder is not included.

VT No.	Year	Type
22-1057	1972-79	Wagner
22-1058	L1979-82	Kelsey Hayes



Rear Master Cylinder Hardware.

VT No.	OEM	#	Years	Item	Finish
23-0133	5983W	A	1972-E79	Spacer (2)	Zinc
23-0134	5890	B	1979-82	Spacer (2)	Zinc
23-0119	42257-72	C&D	1972-79	Plunger Cpt	Chrome
23-0124	42257-79	C&D	1979-82	Plunger Cpt	Chrome
23-0122	42330-72	D	1972-82	Clevis Chrome	
23-0109	42299-72	E	1972-E79	Support	Chrome
23-0130	42299-79	E	1979-82	Support	Chrome
23-0132	42440-72	G	1972-E79	Insulator	
23-0421	42269-30	H	(10pk)	Pin	Zinc

Foot Brake Lever & Bracket Mounting Kit includes nut, washers and bolts are duplicates of stock hardware for 1936-71 Big Twin.

VT No.	Finish
9732-7	Chrome
9733-7	Cadmium
9734-7	Parkerized

