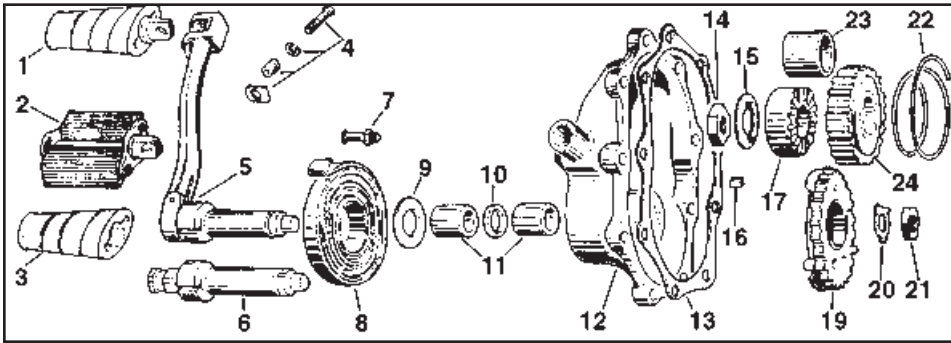




Kicker Parts for 4-Speed BT



74" & 80" Kicker Parts listed below will fit 1936-84 3 and 4 Speed models.

| VT No. | # | OEM | Item |
|---------|----|-----------|--------------------------|
| 17-0301 | 1 | 33175-16B | Kicker Pedal |
| 17-0300 | 2 | 33175-16 | Bicycle Pedal |
| 28-0213 | 3 | 33182-63A | Kicker Rubber |
| 17-0306 | 4 | 33213-31 | Pin Kit |
| 17-0095 | 5 | 33068-54 | Early Kick Arm |
| 17-0312 | 6 | 33096-54A | Kicker Shaft |
| 8120-3 | 7 | 33090-36 | Spring Stud |
| 13-0123 | 8 | 33085-36 | Kicker Spring |
| 17-0413 | 9 | 33080-36 | Thrust Washer |
| 14-0115 | 10 | 33076-37 | Kick Seal |
| 10-0720 | 11 | 33288-37 | Bushing Kit |
| 43-0100 | 12 | 33277-36A | Kick Cover |
| 15-0158 | 13 | 33295-36 | Kick Gasket |
| 12-0500 | 14 | 7977 | Mainshaft Nut |
| 17-0903 | 15 | 33396-39 | Mainshaft Lock |
| 12-0206 | 16 | 33393-50 | Key |
| 17-0403 | 17 | 33381-39 | Kick Clutch Gear 1939-74 |
| 17-0416 | 17 | 33560-75 | Kick Clutch Gear 1975-85 |
| 17-0400 | 19 | 33350-36 | Crank Gear |
| 17-0334 | 19 | 33350-36 | Crank Gear, Sifton |
| 17-0902 | 20 | 33082-16 | Kick Shaft Lock |
| 12-0527 | 21 | 7911 | Kick Shaft Nut |
| 13-0128 | 22 | 33391-36 | Ratchet Spring |
| 10-0721 | 23 | 33438-50 | Gear Bushing |
| 10-2486 | 23 | As Above | .005 O/S |
| 17-0401 | 24 | 33430-50 | Starter Gear, 16 Tooth |
| 17-0402 | 24 | 33430-59 | Starter Gear, 14 Tooth |



Bumper Plate, Kickstarter.

| VT No. | OEM | Fits |
|---------|----------|--------------------|
| 17-0407 | 33353-36 | All 1941-75 BT |
| 17-0408 | 33353-78 | 1978-up BT, 4 Spd. |



Kicker Bumper Plate Screws replace 1864B. Used on all 1936-85 Big Twins.
VT No. 17-0411



Oil Deflector Mainshaft Starter Gear replaces 33429-39, fits all 1941-79 Big Twins. 33429-80 fits 1980-84 Big Twins.

| VT No. | OEM | Fits | Item |
|---------|----------|---------------------|-----------|
| 17-0409 | 33429-39 | 1941-79 BT | Deflector |
| 17-0410 | 33429-80 | 1980-up BT, 4 Speed | Deflector |
| 37-9134 | 2333W | 1941-79 | Screw |
| 37-9173 | 3789A | 1980-84 | Screw |



Big Twin Small Parts Only Kicker Kit contains parts as pictured, 16 tooth ratchet gear set, 24T crank gear, kicker shaft, ratchet spring, lock tabs, nuts and key.

VT No. 17-0412



Sifton Kick Gear/Shaft Assembly includes large gear, corresponding shaft, nut, lock tab and thrust-washer.

VT No. 17-0335



Complete Kickstarter Ratchet Gear Kit contains ratchet gear, clutch gear, spring and key way. Available with 16 or 14 tooth starter gear. Used on all 1936-85 4 Speed Big Twin.

| VT No. | Type |
|---------|--------------|
| 17-0404 | 16 Tooth Kit |
| 17-0405 | 14 Tooth Kit |



Big Twin Kicker Shaft replaces 33096-54A. Fits 1936-84 BT.

| VT No. | Type |
|---------|---------|
| 17-0312 | V-Twin™ |
| 17-0317 | Jims |
| 17-0324 | Sifton |



Longer Kickstart Shaft fits 1937-84 Big Twin 4-speeds, eliminates the use of fold out kicker arm, the stroker I-Beam

or other offset arms may be fitted.

| VT No. | Brand |
|---------|--------|
| 17-9145 | Jims |
| 17-0591 | Sifton |