

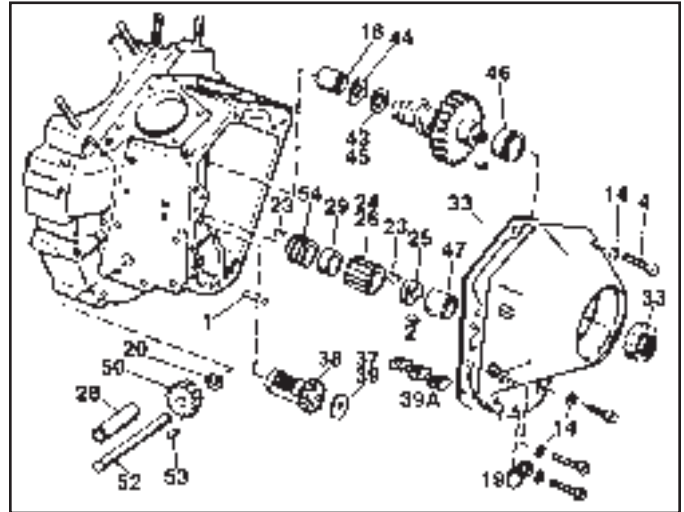
1984-99 Big Twin Pinion Hardware



BIG TWIN

1984-99 Big Twin Pinion Hardware

VT No.	OEM	#	Year/Item
12-1184	275	1	1970-up Bushing Pin
12-1153	358	2	1970-up Dowel Pin
8761-7	Kit	4	1970-92 Chrome Allen Screw Set
9305-7	Kit	4	1970-92 Stock Chrome Screws
9306-7	Kit	4	1970-92 Stock Cadmium Screws
9633-50	6099	14	1970-up Washer, Chrome
12-0316	9058	18	1970-up Needle Bearing
37-8971	10046	19	1981-up Wire Clamp
12-0901	11002	20	1970-up Oil Pump Retainer Ring
12-0202	23985-54	23	1970-up Key, Gear Shaft
Note: 24/26 See Chart on page 15 for Pinion Gear Listing			
12-0507	24023-54	25	1970-89 Pinion Gear Nut
12-0613	As Above		Jims
12-0512	24022-90	25	1990-92 Pinion Gear Nut
12-0611	As Above		Jims
12-0577	7916A	25	1993-up Pinion Gear Nut
10-0703	24641-36	28	1970-up Oil Pump Shaft Bush
12-1539	24703-54B	29	1970-89 Pinion Gear Spacer
12-9922	24704-90	29	1990-up Pinion Gear Spacer
15-0871	25225-70B	33	1970-92 Gasket and Seal Kit
15-0872	25225-93	33	1993-up Gasket and Seal Kit
12-9906	25313-77	38	1978-99 Breather Valve, S&S
12-9957	—	38	As Above .030 O.S.
12-9909	S&S	37	Washers for Above (Set)
12-1537	25313-77	38	1978-99 Breather Gear, Sifton Steel
12-9978	—	37	Washers for Above, Sifton
12-1531	25310-82	38	1982-90 1992-up Breather Valve(Plastic)
12-1530	Nylon	39	1982-up .130-.165 Set, 8 pk.
12-1533	25329-91	39A	1991-up BT Air/Oil Separator
12-1508	25550-36	43	1970-up Cam Gear Washer Set .050-.095 (10 pc.)
10-1254	25550-84	43	1984-up .045 Thick, 5 pk.
12-1440	—	43	.050 Cam Gear Washer
12-1441	—	43	.055 Cam Gear Washer
12-1425	—	43	.060 Cam Gear Washer
12-1426	—	43	.065 Cam Gear Washer
12-1427	—	43	.070 Cam Gear Washer
12-1428	—	43	.075 Cam Gear Washer
12-1429	—	43	.080 Cam Gear Washer



12-1430	—	43	.085 Cam Gear Washer
12-1431	—	43	.090 Cam Gear Washer
12-1432	—	43	.095 Cam Gear Washer
12-1433	—	43	.100 Cam Gear Washer
17-0908	25550-57	44	1958-up Lock Washer, 5 pk.
10-0705	25581-70	46	1970-up Bushing
10-2525	As Above	46	.005 Oversize
10-0708	25582-73	47	1973-92 Bushing STD
10-2529	As Above	47	1973-92 Bushing .005 O/S
10-8536	25582-93	47	1993-up Bushing
10-8556	As Above	47	1993-up Bushing .005 O/S
12-1407	26345-73	50	1973-up Drive Gear, 24T
12-0805	26346-70	52	1970-up Gear Shaft
12-0205	26348-15	53	1936-up Oil Pump Key, 10 pk.
12-1392	26349-84	54	1984-89 Drive Gear
12-1438	26354-90	54	1990-92 Drive Gear
12-1439	26354-93	54	1993-up Drive Gear



Pinion Shaft Conversion

Package Kit includes 1977-89 red pinion gear, 1954-89 pinion shaft oil pump drive gear, 1954-89 pinion shaft gear spacer, and 1954-89 pinion shaft gear nut.

VT No. 10-2585

Cam Kit



Sifton Chrome 1986-99 Lifter and Pushrod Assembly includes 4 lifter tappets, 4 lifter units, 4 pushrods and a lifter base set with screws and gaskets.

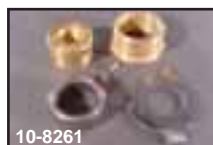
VT No. Type
11-0350 Hydraulic
11-0356 Solid



Sifton Evolution and Shovelhead Type Pushrod Performance Cam Kit includes cam E-Z install pushrods, chrome lifter bases and roller tappets. .495 lift.

VT No. 11-1600

Cam Bushing Kit



Sifton Cam Thrust Washers and Lock Washers.

VT No.	OEM	Year	Note
17-0908	25550-57	1957-up	5 pk
10-1254	25550-84	1984-up	.045 thick, 5 pk
12-1508*	25550-36	1936-99	10 pc set

*Note: Set includes .050, .055, .065, .070, .075, .080, .085, .090, .095 and .100.

Cam Bushing Kits Big Twin kits include cam and gear shaft bushings/bearings with lock pins and thrust plate.

VT No.	Year
10-8272	1993-99
10-8260	1973-92
10-8261	1970-72