



Billet Fork Assembly



24-9510



24-9513



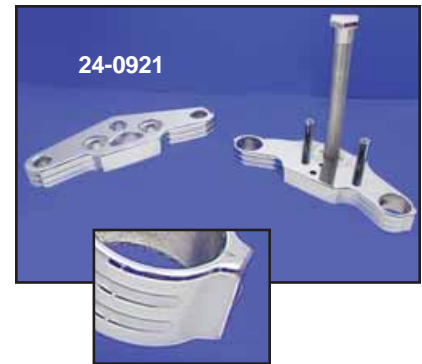
24-9510
Close Up

Chrome Billet 41mm Fork Assemblies for 1949-99 FX-FL-FXST includes chrome billet trees, chrome ball milled billet lower legs, flush mount axle and chrome fork tubes assembled into legs with chrome boot dust covers. Forks accept single disc caliper and 11.5" rotor. Note: 5° style trees have turn signal mount on lower tree.

Leg Detail



24-9556

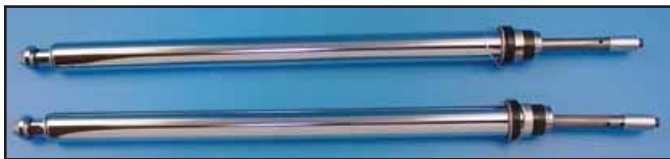


24-0921

Note: +5°, have built in signal mounts.

Note: Trees included in kits listed below have built in turn signal mounts in lower tree.

Make Fork Building Easy...



A Select Tube Assembly (Pre-loaded and Assembled)



C 41mm Lower Leg



B 41mm Triple Tree Set

Stock	3°	5°	Length
24-9510	24-9547	—	Stock (31")
24-9511	24-9549	—	+2"
24-9512	24-9551	—	+4"
24-9513	24-9555	24-9556	+6"
24-9514	24-9553	24-9554	+8"
24-9515	24-9558	24-9557	+10"
24-9516	24-9559	24-9560	+12"
24-9517	24-9561	24-9562	+14"
24-9518	24-9563	24-9564	+16"