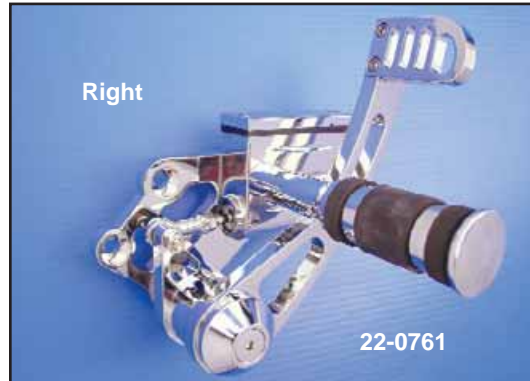




Forward Controls for FXR-FXRS



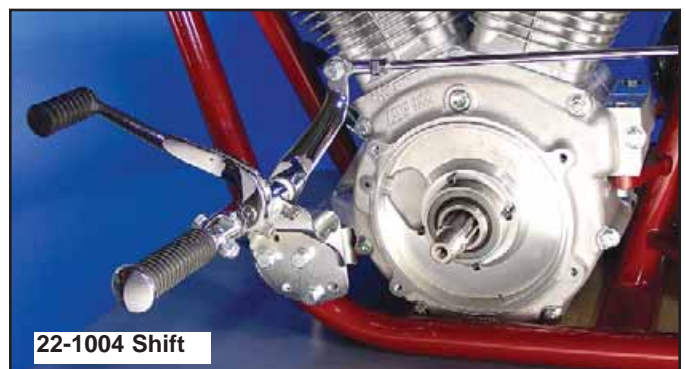
1982-94 FXR Billet Forward Control includes master cylinder.
VT No. Item
22-0761 Kit
21-0223 Rod
23-0859 M/C Rebuild
23-0665 Master Cylinder

FXR-FXRS Forward Control Set fits all 5-Spd FXR-FXRS series Shovel or Evo powered 1982-up. Installation does not require the primary cover to be removed. All parts are chromed and the foot-pegs provided are "O" ring style, does not fit Dyna Glide.

VT No.	Year/Model
22-1035	1982-up FXR
23-3008	Brake Rod Only
23-9203	Brake Pedal Only
21-2059	Shifter Arm
31-1251	Arm Clip



Shift Shaft Cover. Chrome acorn style has 1/2" I.D. to fit over unused shifter shaft in primary cover when installing forward controls. Sold each.
VT No. 37-8872



VT No.	Year	Type
22-1074	1982-E87	FXR Set
22-1071	1988-94	FXR Set
22-1004	1982-up	Shift Side
22-1075	1982-E87	Brake Side
22-1073	1988-up	Brake Side
23-0251	Clevis	Brake Side
23-3008	1982-up	Brake Rod

Chrome FXR Forward Control Set. Complete chrome set brake & shifter units are a replica of the comfortable FXST style which has pegs in full forward position, features one piece brake rod which adapts directly to stock master cylinder, No need to relocate master cylinder on all 1982 and later FXR-FXRS-FXRT also 1985 FXS-FXE. Chrome cover included to cap shifter shaft after installation.