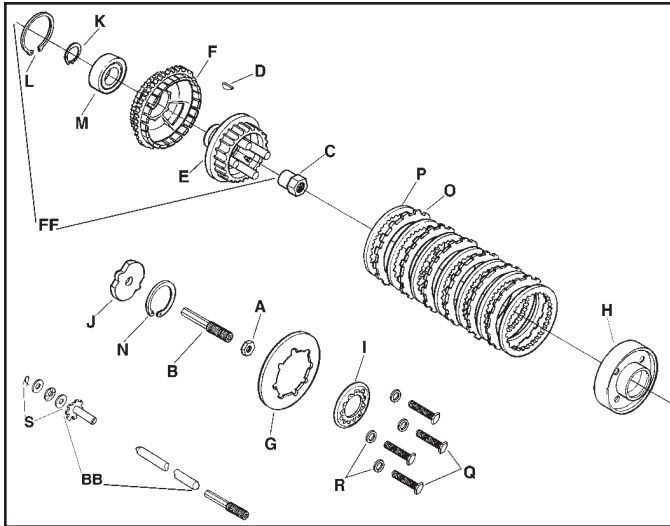


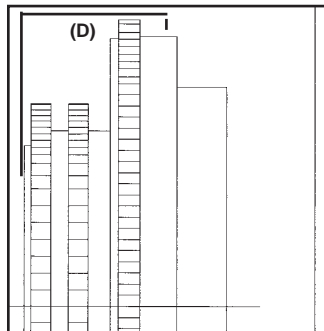


# 1985-90 Big Twin Clutch Parts



## 1985-90 1340 Big Twin Clutch Pack Hardware.

| VT No.  | #   | OEM       | Item                           |
|---------|-----|-----------|--------------------------------|
| 12-0563 | A   | 7848W     | Nut, 5 pack                    |
| 18-3259 | B   | 37357-84  | Adjusting Screw for Stock      |
| 18-3253 | B   | 37090-84A | Adjusting Screw for 18-3680    |
| 17-9246 | BB  | Kit       | Rod Set, 1985-86               |
| 17-9248 | BB  | Kit       | Rod Set, 1987-89               |
| 17-9249 | BB  | Kit       | Rod Set, 1990                  |
| 12-0564 | C   | 37496-84  | Nut, Mainshaft                 |
| 12-0212 | D   | 37523-85  | Key, 10 pack                   |
| 18-3679 | E   | 37550-84A | Clutch Hub                     |
| 18-8153 | E   | 37550-84A | Clutch Hub, V-Twin             |
| 18-3641 | F&M | 37702-84A | 84-E85 Clutch Drum w/Ring Gear |
| 18-8234 | F&M | 37707-84A | L85-90 Clutch Drum w/Ring Gear |
| 18-8290 | G   | 37875-86A | Diaphragm Spring               |
| 18-0186 | FF  | Kit       | 1984-E85 Drum/Hub Assembly     |
| 18-0187 | FF  | Kit       | E1985-90 Drum/Hub Assembly     |
| 18-3680 | H   | 37901-84A | Pressure Plate                 |
| 18-3214 | I   | 37902-86B | Barnett Adjuster Plate         |
| 18-3255 | I   | As Above  | V-Twin                         |
| 18-3215 | J   | 37903-84  | Release Plate                  |
| 12-0953 | K   | 37904-84  | Ret Ring External, 10 pack     |
| 12-0954 | L   | 37905-84  | Ret Ring Internal, 10 pack     |
| 12-0308 | M   | 37906-84  | Bearing                        |
| 12-0955 | N   | 37907-84  | Retaining Ring, 10 pack        |
| 18-1147 | O   | 37931-84  | Friction Disc, 6 pack          |
| 18-1148 | P   | 37975-84  | Drive Disc, 7 pack             |
| 37-8944 | Q   | 2881W     | Bolt and Washer                |
| 37-9272 | R   | 6242W     | Washer                         |
| 18-3623 | S   | Kit       | Bearing Kit                    |
| 12-0923 | T   | 11096     | Retaining Ring                 |



**Complete Assembly**  
1985-90.  
VT No.  
18-0130



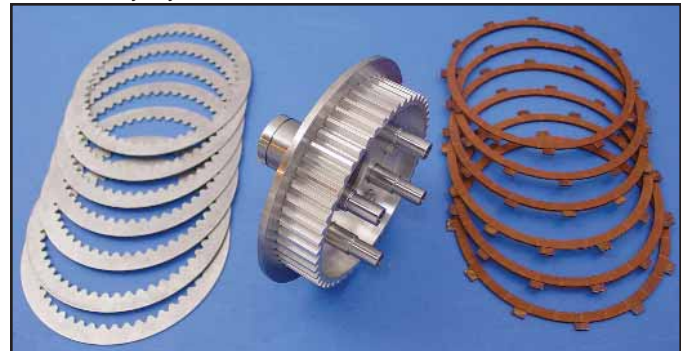
**1984-90 Big Twin Clutch Hubs** feature the updated factory construction which has a machined steel center with aluminum outer

splined ring, secured by allen screws, with steel studs welded in place. Order related hardware separately.

| VT No.   | OEM       | Year    | Type   |
|----------|-----------|---------|--------|
| 18-3679  | 37550-84A | 1984-90 | OE     |
| 18-8153  | As Above  | 1984-90 | V-Twin |
| 18-8170* | 37550-84  | 1984-90 | V-Twin |



\*Note: Early style hub with aluminum studs



**1984-89 BT Clutch Hub Kit** includes updated reinforced steel center clutch hub, steel drive plate set & friction plate set.

VT No. 18-0541



**1985-90 Clutch Hub Sleeve** is a reinforcement ring for hubs at the tapered end. Sleeve is pressed on with beveled side out toward inner primary, after clutch drum with bearing is set over hub, so that clutch drum and hub will be installed as one unit.

| VT No.  | Type                     |
|---------|--------------------------|
| 18-8240 | Alum. 1-piece type hub   |
| 18-8241 | Steel two-piece type hub |

## Clutch Drum and Hub Assembly.

Bearing and snap ring are installed in drum. Starter ring gear offset dimension shown.

| VT No.  | Year     | Size (D) |
|---------|----------|----------|
| 18-0186 | 1984-E85 | 1.670    |
| 18-0187 | E1985-90 | 2.087    |