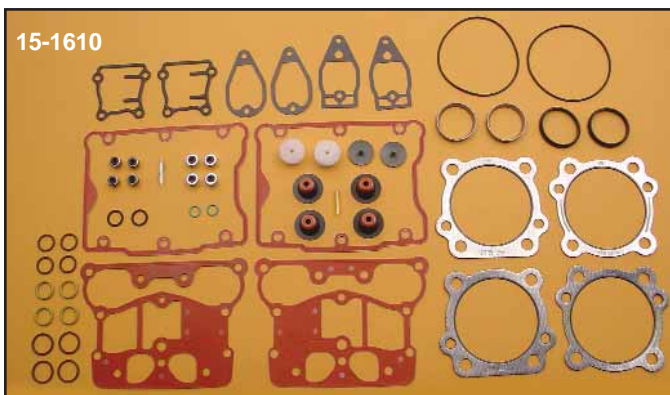
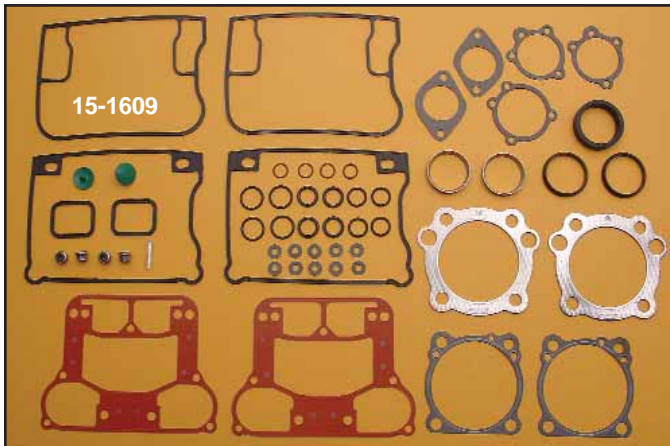
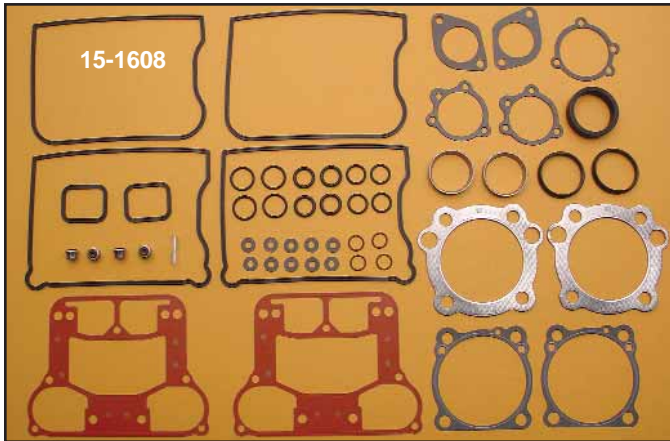




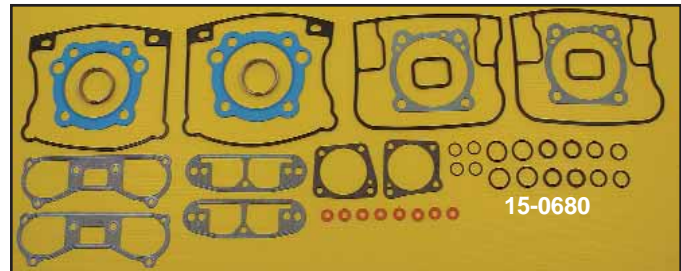
# Top End Gasket Sets

ORIGINAL  
**OE** Brand  
EQUIPMENT



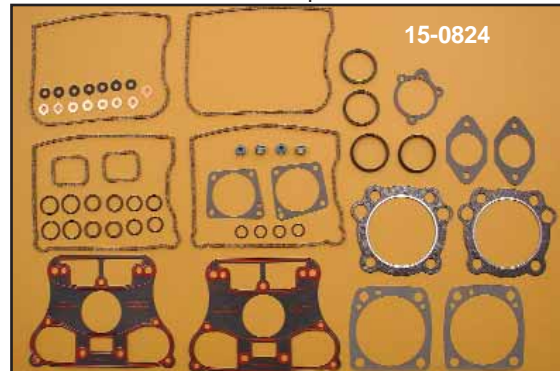
### Top End Kits Big Twin Models

<b>15-1608</b>	17033-83A	1984-91 FXST, 1984-91 FXR, 1984-91 FLT
<b>15-1609</b>	17040-92A	1992-98 FLT, 1992-94 FXR, 1992-99 FXST, 1992-98 FXD
<b>15-1610</b>	17052-99	1999-up FLT, 1999-up FXD, 2000-up FXST



**GB Top End Kits** include all gaskets and O-rings including pushrod corks from the cylinder base and up. Perfect for Piston and Valve jobs.

VT No.	OEM	Years	Fits
<b>15-0598</b>	17033-83	1984-91	V2 Evo
<b>15-0680</b>	17040-92A	1992-99	V2 Evo
<b>15-0377</b>	17052-99	1999-up	TC-88



### James Top End Sets

VT No.	OEM	Years	Models
<b>15-0824</b>	17033-83	1984-91	Evo (Teflon Head Gaskets/Cork Rocker Gaskets)
<b>15-0859</b>	17033-83A	1984-91	Evo (.045" Teflon Head Gaskets/Rubber Rocker Gaskets)
<b>15-1191</b>	—	1984-99	Evo 3 <sup>5</sup> / <sub>8</sub> " Big Bore (.045" Head Gaskets /Steel Base/Rubber Rocker Gaskets)
<b>15-0825</b>	17040-92A	1992-99	Evo (.045" Head Gaskets/Rubber Rocker Gaskets)
<b>15-1192</b>	—	1992-99	Evo 3 <sup>5</sup> / <sub>8</sub> " Big Bore (.045" Head Gaskets/Rubber Rocker Gaskets)
<b>15-1209</b>	17052-99	1999-up	TC-88