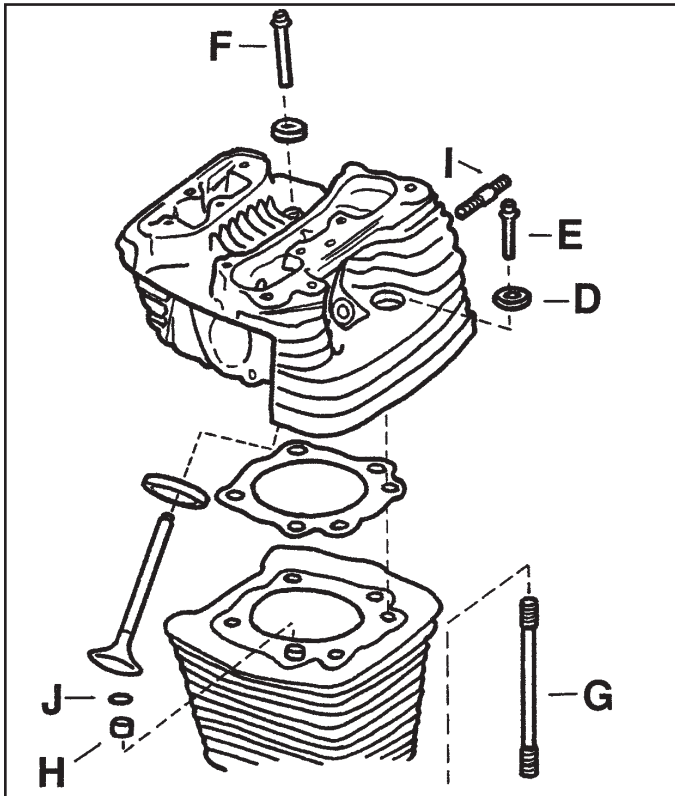




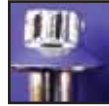
Head Bolts & Studs Evo 1984-up



Head Bolts and Hardware Kits for Evo 1340 models for one head.

VT No.	#	OEM	Item
37-8950	E	1985-99	Screw, 2 pk, zinc
	F		Head Bolt Screw, 2 pk, zinc
	G		Kit For Stud, 4 pk
	D		One Head Washer, 4 pk
37-9521*		As Above	Chrome
37-9322		As Above	1992-99, zinc
37-8139	E	16478-83	Head bolt, Chrome, 8 pk
	F	16480-83	Screw Set, 1984-E85
37-8990	E	16478-85A	Head bolt, Chrome, 8 pk
	F	16480-85A	Screw set L1985-91 BT
2011-8	E	As Above	Colony
	F		
2012-8	E	16478-85A	Head Bolt Chrome, Colony, 8 pk
	F	16480-92	Screw Set 1992-up BT
37-8951	G	16837-85A	Studs only, 1986-99 BT 4 pk
9424-8	G	As above	Colony, 1986-99 BT
37-9259	G	As Above	Sifton
37-8935	H	16573-83	Insert, 8 pk
12-1187	I	16715-83	Ex. Stud, 5 pk
14-0516	J	26432-76	O Ring, 10 pk
37-9074	D	16482-83	Washer 1984-E85, Zinc, 4 pk
37-9075	D	16482-85	Washer L1985-92, Zinc, 4 pk
2018-8	D	As Above	Colony Zinc, 8 pc
37-9265	D	As Above	Chrome, 8 pc
2017-8	D	As Above	Chrome, 8 pc

*Note: For Both Cylinder Heads



Chrome 12 Point Head Bolt Set includes 8 washers and 8 head bolts for 1986-99 models.
VT No. 37-9019



37-8950
Components for One Head



37-8951



37-9265



37-8141



37-9259



11-0634

Sifton Racers Evo Stud Kit has 8 inserts, drill tap and 8 chromemoly studs. Allows more torque to be applied, to cure oil leaks & protects case threads during frequent disassembly. Detailed instructions included.

VT No.	Item
11-0634	Complete Shop Kit
37-9259	8 Studs only
11-0636	8 Inserts only



VT No. 16-0911



VT No.16-0911 Tube Installed

Evolution Cylinder Oil Passage Drain Tubes for stock bore size cylinders only. Each kit is supplied with tap, hex wrench, two drain tubes and instructions.

VT No.	Item
16-0911	Kit
16-0912	Pair Replacement Tubes only